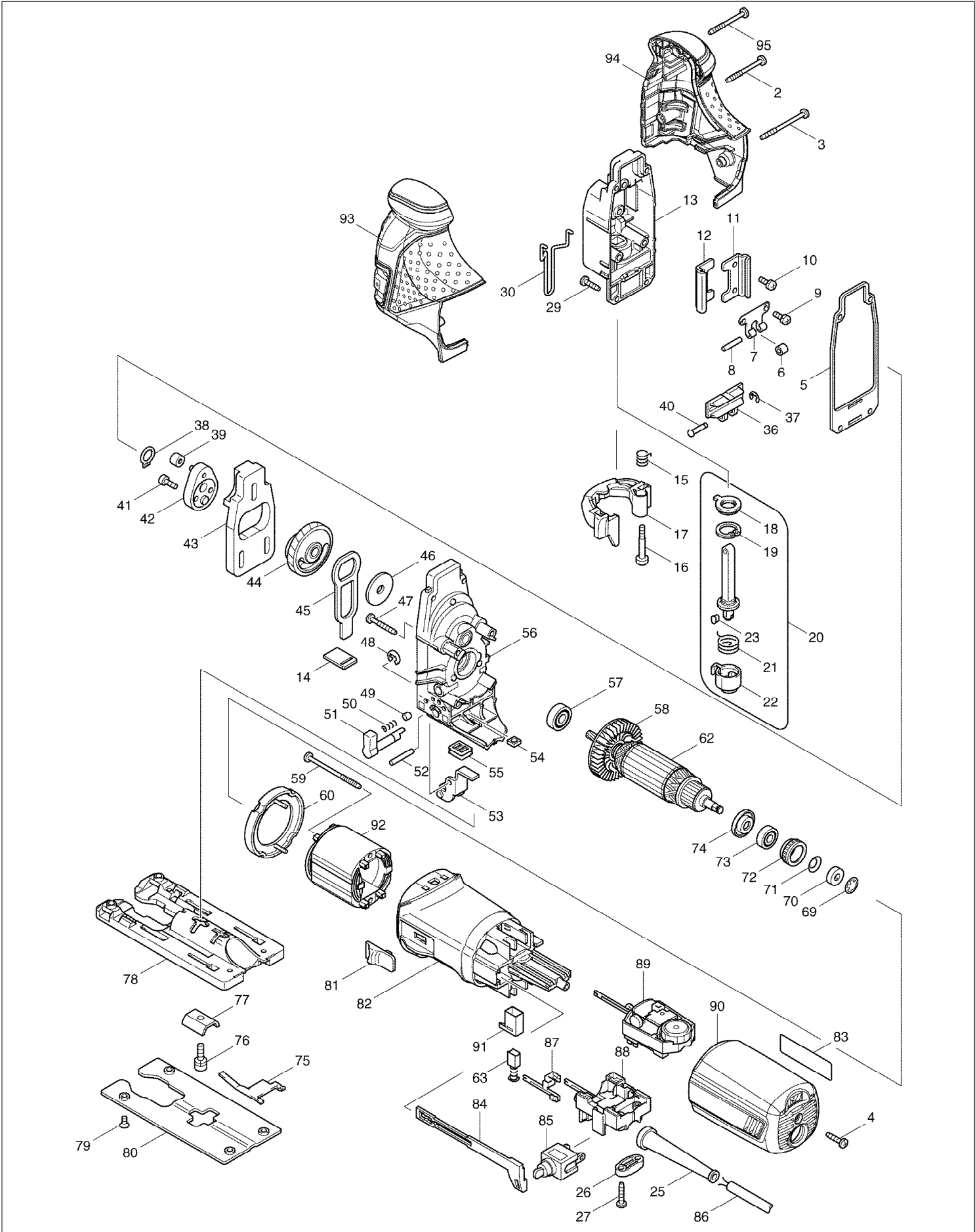


SERVICE DRAWING

MODEL NO. 4351CT



SPARE PARTS LIST

MODEL NO. 4351CT

ITEM	PART NO.	DESCRIPTION	QTY	NOTE
002	266048-4	TAPPING SCREW 4X40	1	
003	266091-3	TAPPING SCREW 4X50	1	
004	265995-6	TAPPING SCREW 4X18	1	
005	442138-9	PACKING	1	
006	214031-5	PLANE BEARING 4	1	
007	232207-2	LEAF SPRING	1	
008	256117-9	PIN 4	1	
009	911111-5	PAN HEAD SCREW M4X10	2	
010	911111-5	PAN HEAD SCREW M4X10	2	
011	345240-6	LINEAR GUIDE	1	
012	345240-6	LINEAR GUIDE	1	
013	153338-3	GEAR HOUSING COVER COMPLETE	1	
014	417839-8	SEAL PLATE	1	
015	231659-4	TORSION SPRING 6	1	
016	265026-1	+ PAN HEAD SCREW M4	1	
017	419820-5	TOOL OPENER	1	
018	421817-2	DUST COVER	1	
019	962068-3	RETAINING RING R-18	1	
020	135060-4	ROD ASS'Y INC. 18,19,21-23	1	
021	231660-9	TORSION SPRING 15	1	
022	310136-0	BLADE HOLDER	1	
023	310135-2	PUSH PIN	1	
025	682559-5	CORD GUARD 8	1	
026	687052-4	STRAIN RELIEF	1	
027	265995-6	TAPPING SCREW 4X18	2	
029	266034-5	TAPPING SCREW CT 4X16	4	
030	324233-6	SAFETY WIRE	1	
036	310134-4	SLIDER	1	
037	961017-7	STOP RING E-3	1	
038	961004-6	RETAINING RING S-8	1	
039	212014-9	NEEDLE BEARING 407	1	
040	268090-1	PIN 4	1	
041	265353-6	HEX. SOCKET HEAD BOLT M4X12	2	
042	153336-7	CRANK COMPLETE	1	
043	313108-4	BALANCE PLATE	1	
044	153335-9	GEAR COMPLETE	1	
045	345235-9	PUSH PLATE	1	
046	253877-4	FLAT WASHER 8	1	
047	266050-7	TAPPING SCREW 4X30	4	
048	961018-5	STOP RING E-5	1	
049	286032-3	CAP 5	1	
050	233139-6	COMPRESSION SPRING 3	1	
051	272244-4	LEVER 17	1	
052	268063-4	PIN 4	1	
053	153334-1	RETAINER COMPLETE	1	
054	252171-1	SQUARE NUT M5-8	1	
055	421816-4	DUST SEAL	1	
056	153337-5	GEAR HOUSING COMPLETE	1	
057	210005-4	BALL BEARING 608DDW	1	
058	241881-5	FAN 52	1	
059	266052-3	TAPPING SCREW 4X60	2	
060	417838-0	BAFFLE PLATE	1	
062	517398-3	ARMATURE ASS'Y 220-240V INC. 57,58,73,74	1	
063	191962-4	CARBON BRUSH CB-419	1	
069	259039-2	SELF LOCK 6	1	
070	688117-5	MAGNET SLEEVE	1	
071	267756-0	WAVE WASHER 6	1	
072	421494-0	RUBBER RING 19	1	
073	211021-9	BALL BEARING 607LLB	1	

SPARE PARTS LIST

MODEL NO. 4351CT

ITEM	PART NO.	DESCRIPTION	QTY	NOTE
074	681636-0	INSULATION WASHER	1	
075	232208-0	LEAF SPRING	1	
076	922226-3	HEX. SOCKET HEAD BOLT M5X18	1	
077	345237-5	CRANK PLATE	1	
078	317565-8	BASE	1	
079	912107-9	COUNTERSUNK HEAD SCREW M4X8	4	
080	345238-3	BASE PLATE	1	
081	417840-3	SWITCH LEVER	1	
082	419893-8	MOTOR HOUSING	1	
083	863686-9	4351CT NAME PLATE	1	
084	417841-1	SWITCH ROD	1	
085	651428-1	SWITCH STL115ADF-CD	1	
086	665394-6	POWER SUPPLY CORD 1.0-2-2.5	1	
087	654223-8	TERMINAL F	2	
088	638108-6	SWITCH BLOCK UNIT	1	
089	631770-6	CONTROLLER	1	
090	419896-2	REAR COVER	1	
091	643975-6	BRUSH HOLDER	2	
092	633518-2	FIELD 220-240V	1	
093	188289-1	HEAD COVER SET	1	
		INC. 94		
094	188289-1	HEAD COVER SET	1	
		INC. 93		
095	266048-4	TAPPING SCREW 4X40	1	
A01	415524-7	ANTI-SPLINTERING DEVICE	1	
A02	417852-6	COVER PLATE	1	
A03	A-85737	JIGSAW BLADE NO.B22	1	AEPD-010/96
A04	A-85628	JIGSAW BLADE NO.B10	1	AEPD-010/96
A05	A-85793	JIGSAW BLADE NO.BR13	1	AEPD-010/96
A06	783202-0	HEX. WRENCH 4	1	
A07	824809-4	PLASTIC CARRYING CASE	1	
A08	417853-4	DUST NOZZLE	1	