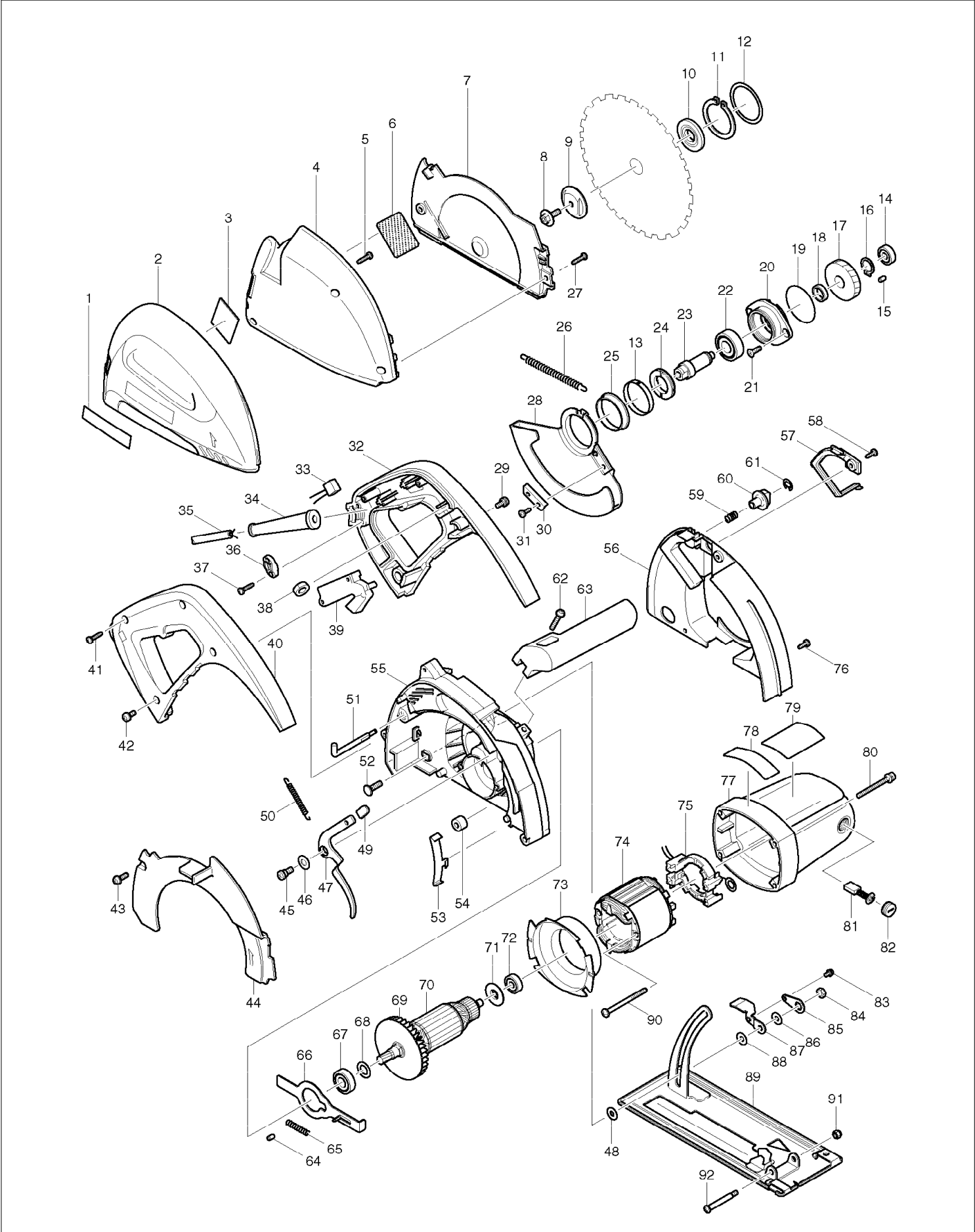


# SERVICE DRAWING

MODEL NO. 4131



# SPARE PARTS LIST

MODEL NO. 4131

ITEM	PART NO.	DESCRIPTION	QTY	NOTE
001	819064-1	MAKITA MARK	1	
002	183837-1	DUST CASE COVER INC. 1	1	
003	431005-3	HEAT RESISTING GLASS	1	
004	317776-5	DUST CASE	1	
005	265995-6	TAPPING SCREW 4X18	2	
006	343760-4	PUNCHING METAL COVER	1	
007	317777-3	DUST PLATE	1	
008	266458-5	HEX.SOCKET HEX.BOLT M6X18	1	
009	224366-6	OUTER FLANGE 40	1	
010	224370-5	INNER FLANGE 40	1	
011	961201-4	RETAINING RING S-42	1	
012	267784-5	WASHER 42	1	
013	343759-9	THICKNESS RING	1	
014	211031-6	BALL BEARING 608LLB	1	
015	263002-9	RUBBER PIN 4	1	
016	961055-9	RETAINING RING S-15	1	
017	226591-5	HELICAL GEAR 48	1	
018	257053-2	RING 15	1	
019	213621-1	O RING 46	1	
020	316579-4	BEARING BOX	1	
021	251372-8	+ COUNTERSUNK HEAD SCREW M5X12	2	
022	211228-7	BALL BEARING 6202DDW	1	
023	324475-2	SPINDLE	1	
024	285807-7	BEARING RETAINER 22-36	1	
025	345422-0	SPACER	1	
026	231828-7	TENSION SPRING 4	1	
027	265995-6	TAPPING SCREW 4X18	2	
028	317775-7	SAFETY COVER	1	
029	911213-7	PAN HEAD SCREW M5X12	2	
030	344944-7	SUB PLATE	1	
031	266026-4	TAPPING SCREW BIND CT 4X12	1	
032	183826-6	HANDLE SET INC. 40	1	
033	645200-1	NOISE SUPPRESSOR	1	
034	682503-2	CORD GUARD 8-90	1	
035	666216-3	POWER SUPPLY CORD 1.5-2-2.5	1	
036	687052-4	STRAIN RELIEF	1	
037	265995-6	TAPPING SCREW 4X18	2	
038	421492-4	SPONGE RING	1	
039	651057-0	SWITCH TG71CL-2	1	
040	183826-6	HANDLE SET INC. 32	1	
041	265995-6	TAPPING SCREW 4X18	2	
042	911213-7	PAN HEAD SCREW M5X12	2	
043	911223-4	PAN HEAD SCREW M5X16	1	
044	317778-1	BLADE COVER	1	
045	251267-5	+ PAN HEAD SCREW M6	1	
046	941201-0	FLAT WASHER 8	1	
047	345421-2	OPEN LEVER	1	
048	253783-3	FLAT WASHER 6	1	
049	421903-9	RUBBER CAP	1	
050	231823-7	TENSION SPRING 4	1	
051	324476-0	HOOK	1	
052	266031-1	CAP SQUARE NECK BOLT M6X20	1	
053	343758-1	PROTECTOR	1	
054	262511-5	RUBBER SLEEVE 6	1	
055	153924-0	GEAR HOUSING COMPLETE INC. 15,64	1	
056	418612-9	GEAR HOUSING COVER	1	
057	418613-7	LEAD COVER	1	

# SPARE PARTS LIST

MODEL NO. 4131

ITEM	PART NO.	DESCRIPTION	QTY	NOTE
058	266026-4	TAPPING SCREW BIND CT 4X12	1	
059	231402-1	COMPRESSION SPRING 7	1	
060	271421-5	THUMB PIPE 23	1	
061	961017-7	STOP RING E-3	1	
062	911243-8	PAN HEAD SCREW M5X25	2	
063	415469-9	GRIP	1	
064	263002-9	RUBBER PIN 4	1	
065	233092-6	COMPRESSION SPRING 5	1	
066	343832-5	SHAFT LOCK	1	
067	211131-2	BALL BEARING 6001DDW	1	
068	253744-3	FLAT WASHER 12	1	
069	241876-8	FAN 76	1	
070	513578-9	ARMATURE ASS'Y 220-240V INC. 67-69,71,72	1	
071	681634-4	INSULATION WASHER	1	
072	211031-6	BALL BEARING 608LLB	1	
073	415467-3	BAFFLE PLATE	1	
074	634513-5	FIELD 220-240V	1	
075	638358-3	SUPPORT COMPLETE	1	
076	266026-4	TAPPING SCREW BIND CT 4X12	3	
077	159685-0	MOTOR HOUSING COMPLETE	1	
078	816816-1	INDICATION LABEL	1	
079	860463-0	NAME PLATE 4131	1	
080	911263-2	PAN HEAD SCREW M5X40	4	
081	191963-2	CARBON BRUSH CB-303	1	
082	643750-0	BRUSH HOLDER CAP	2	
083	911108-4	PAN HEAD SCREW M4X8	1	
084	252135-5	HEX. NUT	1	
085	341718-7	LOCK PLATE	1	
086	253804-1	FLAT WASHER 6	1	
087	342907-7	LEVER PLATE	1	
088	253804-1	FLAT WASHER 6	1	
089	165387-8	BASE	1	
090	266029-8	TAPPING SCREW 5X65	2	
091	252103-8	HEX. LOCK NUT M5-8	1	
092	265075-8	+ PAN HEAD SCREW M5	1	
A01	192219-6	SAFETY GOGGLE	1	
A02	410047-0	WRENCH HOLDER 5.6	1	
A03	783203-8	HEX. WRENCH 5	1	
A04	B-03931	CERMET SAW BLADE 185X30X36	1	