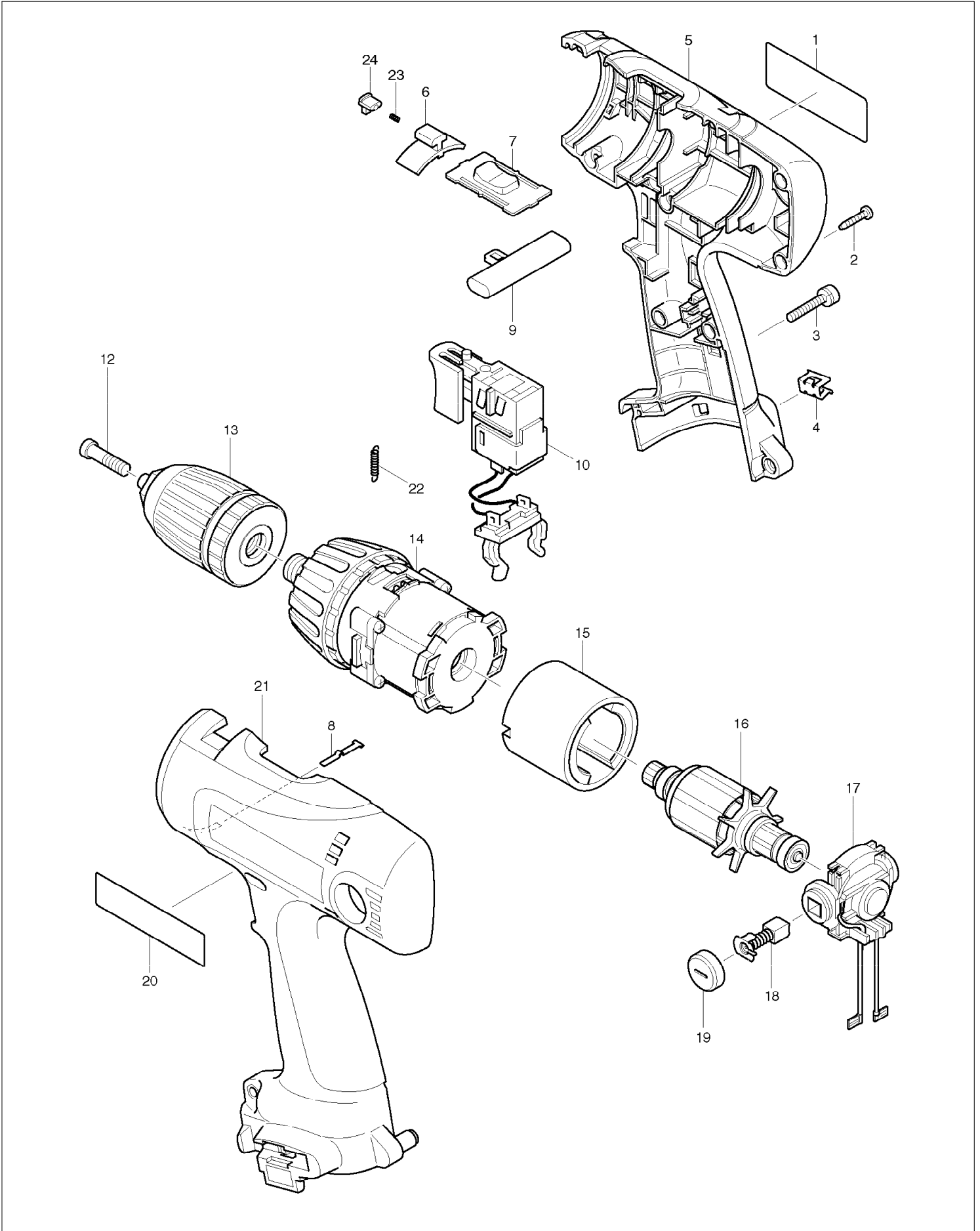


SERVICE DRAWING

MODEL NO. 6317D



SPARE PARTS LIST

MODEL NO. 6317D

ITEM	PART NO.	DESCRIPTION	QTY	NOTE
001	853706-7	NAME PLATE 6317D	1	
002	266130-9	TAPPING SCREW BIND PT 3X16	9	
003	911143-2	PAN HEAD SCREW M4X22	1	
004	344391-2	BIT HOLDER	2	
005	183440-8	HOUSING SET	1	
		INC. 20,21		
006	417879-6	MODE CHANGE LEVER	1	
007	125102-2	SPEED CHANGE LEVER ASS'Y	1	
008	232182-2	LEAF SPRING	1	
009	417880-1	F/R CHANGE LEVER	1	
010	638144-2	SWITCH UNIT	1	
012	251464-3	- FLAT HEAD SCREW M6X22	1	
013	193616-9	KEYLESS DRILL CHUCK 13 SET	1	
014	125238-7	GEAR ASS'Y	1	
015	638138-7	YOKE UNIT	1	
016	619116-6	ARMATURE	1	
017	638139-5	ENDBELL COMPLETE	1	
018	191971-3	CARBON BRUSH CB-430	1	
019	643929-3	BRUSH HOLDER CAP	2	
020	819064-1	MAKITA MARK	1	
021	183440-8	HOUSING SET	1	
		INC. 5,20		
022	231829-5	TENSION SPRING 2	1	
023	233353-4	COMPRESSION SPRING 2	1	
024	418095-3	LOCK LEVER	1	
A01	414938-7	BATTERY COVER	2	
A02	784637-8	+ - BIT 2-45	1	
A03	183763-4	PLASTIC CARRYING CASE	1	
A04	***DC1414	DC1414 BATTERY CHARGER	1	
A05	192597-4	BATTERY 1222 SET	2	